

Florence Henderson's

Digital TIPS

**An Easy Guide
to Making
the Digital TV
Transition
at Home**



Full-Power TV Broadcasters throughout the USA will complete their switch to Digital TV Broadcasting on February 17, 2009. Make sure you're ready for the Digital TV transition well ahead of the deadline.

TV broadcasting in America began in 1939, when the first network broadcasts were sent to just a few hundred TV sets.

A decade ago, America began the switch to Digital TV broadcasting, with Digital TV offering a clearer picture, better sound, and many more free channels than old-style analog transmissions.

Broadcast stations complete their transition to Digital TV service February 17, 2009, so now's the time to consider your options to be prepared:

- 1) **Buy a new TV** with a Digital TV tuner to replace your old TV that has an analog tuner. Digital TV sets start at under \$200, or;
- 2) **Sign up for pay-TV service** from your cable company, a satellite TV operator, or from your local telephone company, or;
- 3) **Buy a low-cost Converter Box** to receive Digital TV broadcasts and convert the signal so your analog TV can display the new channels. The U.S. Department of Commerce is offering \$40 discount coupons, too. Apply for those at: www.DTV2009.org or **1-888-388-2009**.

Low-Power Analog TV Stations

For a small number of people, there may be some TV stations that won't make the switch to Digital TV until later. These "low-power" or "translator" stations can continue to be received by your old TV until they switch to digital, or you can purchase a Converter Box that includes "pass-through" capabilities for analog channels.

To find out more about low-power TV stations, visit www.DTV2009.gov/lowpower.



www.DigitalTips.org

www.DigitalTips.org

Set UP Your Digital TV Converter Box: AS EASY AS 1-2-3

If you've decided to buy a Digital TV Converter Box, it's easy to connect the Converter Box to your TV and start enjoying the added features and superior quality of digital television today.

Step 1: Connect the Antenna to your Converter Box

Digital TV works over-the-air just like analog TV – it relies on your TV antenna to receive the transmissions from your local broadcasters. So just disconnect your TV antenna from the TV and connect it to the "Antenna In" jack on your Converter Box.

Step 2: Connect the Converter Box to your old TV

Next, use the cable that came with your Converter Box to connect the "Antenna Out" jack on the Converter to the "Antenna In" jack on your TV set. (If your set and antenna use a flat wire with two terminals to connect, then you'll need inexpensive adapters for both the antenna and for your TV.)

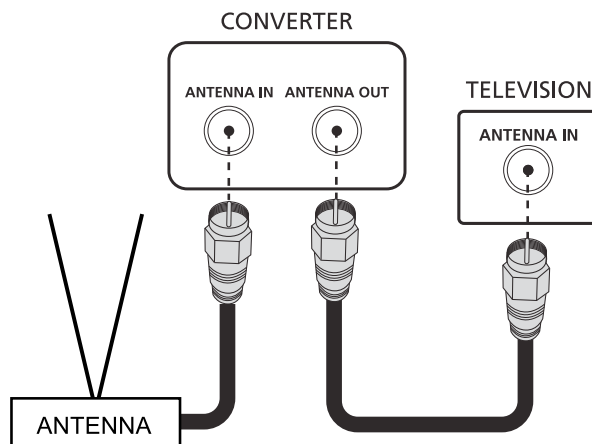
The Converter Box will send the new Digital TV signals to your analog TV on either Channel 3 or Channel 4 (you decide, based on whether or not a local broadcaster is already on that channel.)

Plug your Converter Box into an electrical outlet and insert the batteries that came with the remote control.

Step 3: Turn On, and Tune In

Turn on the Converter Box. Tune your analog TV to the proper input channel (Ch. 3 or 4), and follow the onscreen instructions to do a channel scan. Now you can enjoy your favorite TV programs and new options like local news and weather channels that also come from local broadcasters.

In most cases, Digital TV signals are sent from the same transmission location as analog TV broadcasts. In certain cases, you may find that a different antenna is needed or you might need to re-position your antenna for the best reception of Digital TV signals.



For more information on the Digital TV transition, visit www.DigitalTips.org and www.DTVTransition.org